

Cornet's Model C14075 is an Ethernet to RS232/USB converter Board in Double Euro form factor and supports extended temperature operation. The Board has been built around a Smart Microcontroller that processes the Ethernet I/O Data and converts into RS-232/USB and vice versa. The RS-232 interface has two channels and each having Serial null-modem flow control and status signals (Baud rate supports upto 115200 bps). The USB interface supports USB 2.0 Specifications and speed up to 480Mbps.

Ethernet interface provided on board supports High Speed Ethernet interface 10/100 Mbps with UDP structure. In addition, it also provides the 16 bit parallel / buffered data for the external use. The Board built with on-board regulators to convert 5V supply to 1.2V and 3.3V that is required for the on board devices and interfaces. Board supports TTL I/O's fully.

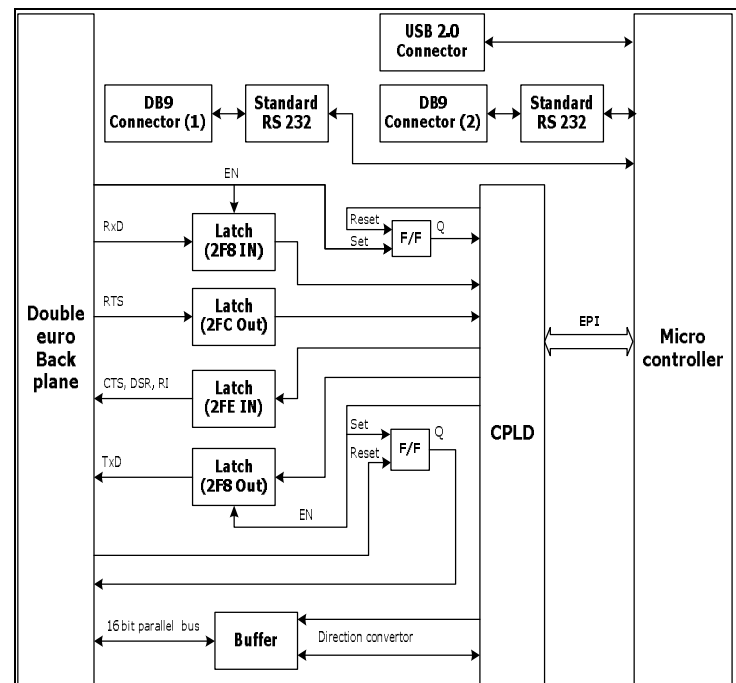
The board is very useful in Mission critical applications where quick conversion is required to interface with various /other subsystems and modules

### Board Specifications

- Two RS\_232 Serial null modem interface with flow control and status signals support upto 115200 bps baud rate.

- USB 2.0 interface supports upto 480Mbps
- 16 bit parallel data I/O interface & TTL compatible.
- High Speed Ethernet Interface supports upto 10/100 Mbps.
- On board regulators for DC voltages 5V to 3.3V & 1.2V
- Power Supply input to the board +5V
- Extended Temperature operation range -40 to + 85 deg C.
- PCB Form Factor -Extended Double Euro

### Architecture Block Diagram



In the interest of continuous improvement, Cornet Technology, India, reserves the right to change specifications without prior notice